

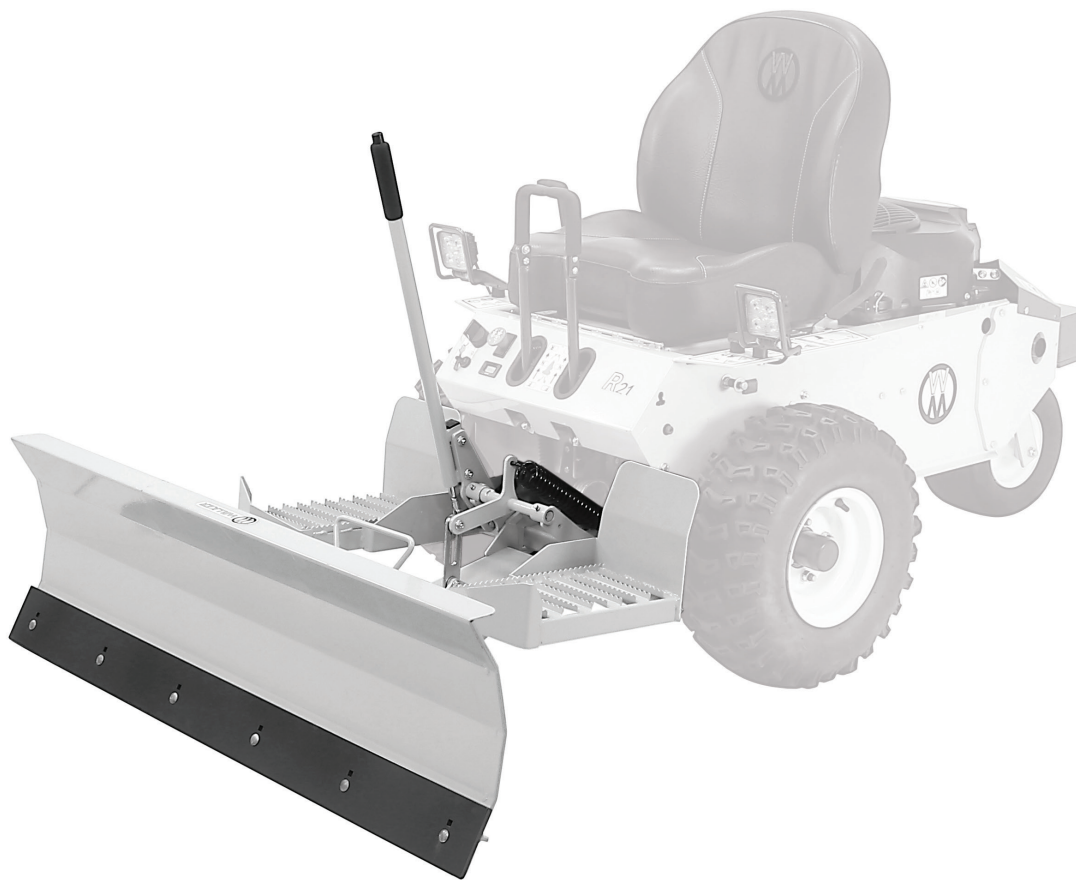


WALKER

A44 Dozer Blade Attachment Operator's Manual

Assembly, Attaching, Removing, Operation, and Maintenance

Compatible with Models: MR21



Please Read and Save These Instructions

For Safety, Read All Assembly and Operation Instructions
Prior to Operating Attachment

Beginning S/N: 2022-1929
P/N: 6625-16



Foreword

Thank you. . .for purchasing a Walker A44 Dozer Blade Attachment. Every effort has been made to provide you with the most reliable mower on the market, and we are sure you will be among our many satisfied customers. If for any reason this product does not perform to your expectations, please contact your local dealer. Every customer is important to us. Your satisfaction is our goal.

Please. . . Before you operate your machine, please read this entire manual. Some of the information is crucial for proper operation - it will help protect your investment and ensure that the machine performs to your satisfaction. Some of the information is important to your safety, and must be read and understood to help prevent possible injury to the operator or others. If anything in this manual is confusing or hard to understand, please contact your local authorized dealer or call our service department, at (970) 221-5614, for clarification before operating or servicing this machine.

This manual covers the Walker A44 Dozer Blade Attachment.

All shields and guards must be in place for the proper and safe operation of this machine. Where they are shown removed in this manual, it is for illustration purposes only. **Do not operate this machine unless all shields and guards are in place.**

Walker Mfg. Co. is continually striving to improve the design and performance of its products. We reserve the right to make changes in specifications and design without thereby incurring any obligation relative to previously manufactured products.

Sincerely,
WALKER MANUFACTURING COMPANY

A handwritten signature in cursive script that reads "Bob Walker". The signature is written in black ink and is positioned above the printed name.

Bob Walker, Chairman

Table of Contents

General Information **1**

Highlighted Information	1
Glossary	1
Serial Number Location	1
Servicing of the Dozer Blade	2
Unit Description	2

Specifications **3**

Requirements	3
Replaceable Cutting Edge Kits	3

Component Identification **4**

Safety Instructions **5**

Before Operating	5
Operating	6
Maintenance	8

Assembly and Installation **9**

Assembling the Blade	9
Installing the Dozer Blade	11
Removing the Dozer Blade	15

Operating Instructions **17**

Lift/Lower Blade	17
<i>Adjusting the Lift Handle Assist Spring</i>	17
Blade Angle	17
Trip-Over Extension Spring	18
Trip-Over Lock	18
Blade Articulation	19
<i>Blade Articulation Adjustment</i>	19
<i>Blade Articulation Lock</i>	20

Maintenance **21**

Cutting Edge (Wear Strip)	21
Lubrication	21

Parts Lists and Diagrams **22**

A44 Dozer Blade Parts List	22
A44 Dozer Blade Parts Diagram	23

Limited Warranty **24**

General Information

General Information

HIGHLIGHTED INFORMATION

Walker Manufacturing recommends that any service requiring special training or tools be performed by an authorized Walker Mower Dealer. There are several general practices to be aware of in the area of safety. Most accidents associated with the operation or maintenance of a Walker Tractor are caused by disregarding basic safety precautions or specific warnings. Such accidents, in most cases, can be prevented by being aware of the dangers present.

Information of special importance has been highlighted in bold type in this manual. Refer to **Safety Instructions on page 5** for the meanings of **DANGER, WARNING, CAUTION, IMPORTANT,** and **NOTE.**

GLOSSARY

There are many terms that are either unique to this equipment or that are used as acronyms. The following terms and their definitions will help while using this manual:

- **DECK** is the mowing attachment mounted on the front of the tractor which includes the carrier frame, deck housing, blade spindles, and cutter blades.
- **FORWARD SPEED CONTROL (FSC)** controls the maximum forward speed of the tractor, functioning as a cruise control.
- **LEFT HAND (LH)** refers to the left-hand side of the tractor when the operator is seated facing forward in the tractor seat.
- **MACHINE** consists of the implement installed on the tractor, functioning as a single unit.
- **RIGHT HAND (RH)** refers to the right-hand side of the tractor when the operator is seated facing forward in the tractor seat.
- **STEERING LEVERS** steer the tractor by controlling the two transaxles.
- **TRACTOR** is the prime mover, including the engine, drivetrain, operator seat, and controls to operate the mower.

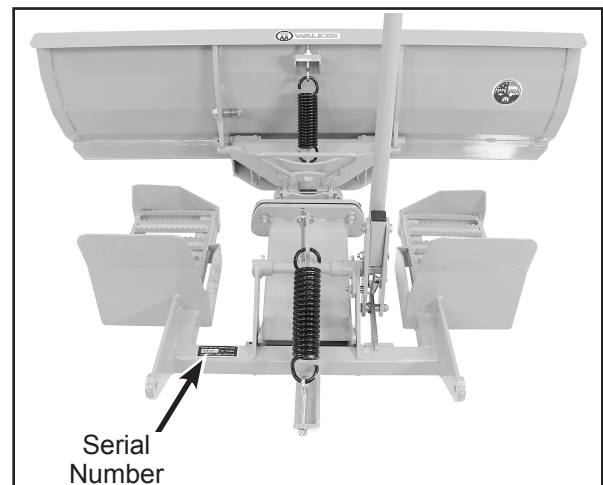
SERIAL NUMBER LOCATION

The dozer blade's serial number is affixed to the attachment frame. Serial numbers are helpful when obtaining replacement parts and maintenance assistance. For ready reference, please record your serial number in the space provided.

Dozer Blade Serial No. _____

Date of Purchase _____

Refer to the tractor Operator's Manual for the tractor serial number information.



Dozer Blade S/N Location

SERVICING OF THE DOZER BLADE

Only routine maintenance and general service instructions are provided in this manual. **Any unauthorized work done** on the machine during the warranty period **may void the warranty**. If you have any difficulty finding an authorized outlet or obtaining warranty service, please contact our Service Department for assistance:

Walker Manufacturing Company

5925 E. Harmony Road

Fort Collins, CO 80528

1-970-221-5614

www.walker.com

UNIT DESCRIPTION

The A44 Dozer Blade is a 48" blade that can be used for snow removal or as light utility tool for moving dirt, mulch, or other debris. The design includes spring-assisted raise and lower lever, a 5-way foot-engaged angle adjustment, trip-over protection, +/-5° of articulation to follow ground contour, and a replaceable wear strip.

Specifications

Specifications

MODEL	A44 DOZER BLADE
Height of handle installed in. (cm)	32 (81)
Height of blade in. (cm)	14 (36)
Width in. (cm)	48 (122)
Length in. (cm)	36 (91)
Overall Length Installed on Tractor in. (cm)	84 (213)
Weight lb. (kg)	145 (66)

REQUIREMENTS

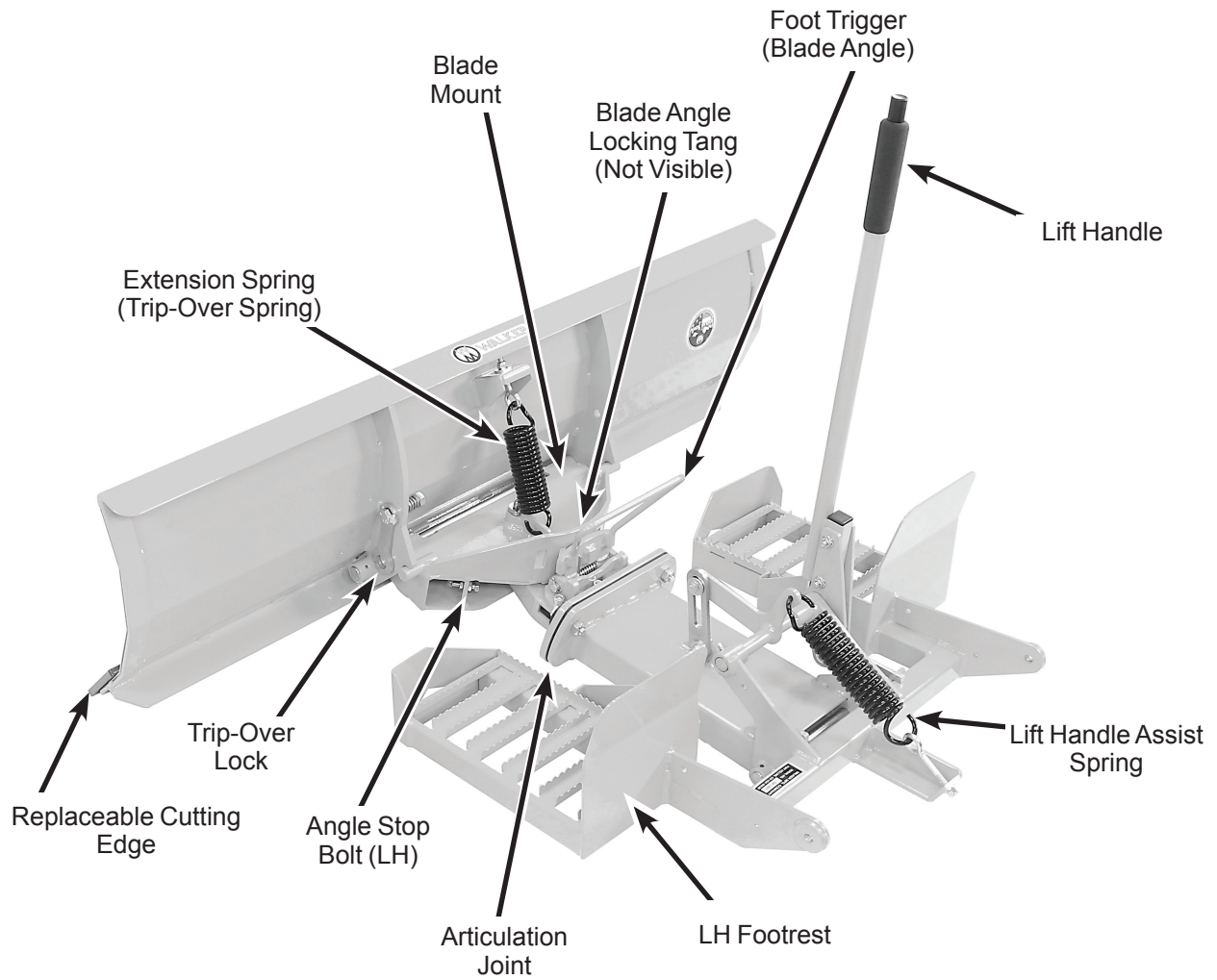
- MR Tail Weight Kit, P/N 1647-10 - This kit is required to be installed with the A44 Dozer Blade.

REPLACEABLE CUTTING EDGE KITS

- Dozer Blade Polyurethane Cutting Edge Kit 48", P/N 6625-10
- Dozer Blade Steel Cutting Edge Kit 48", P/N 6624-21

NOTE: The manufacturer reserves the right to make changes in specifications shown herein at any time without notice or obligation.

Component Identification




Dozer Blade LH Side View (Not Installed)

Safety Instructions

Safety Instructions

Pay particular attention to any information labeled **DANGER, WARNING, CAUTION, IMPORTANT, and NOTE** in this manual.

When you see the Safety Alert Symbol (), read, understand, and follow the instructions. Failure to comply with safety instructions may result in personal injury.

The seriousness or degree of importance of each type of information is defined as follows:

DANGER

An **IMMEDIATE** hazard that **WILL** result in severe personal injury or **DEATH**, if warning is ignored and proper safety precautions are not taken.

WARNING

A **POTENTIAL** hazard that **COULD** result in severe personal injury or **DEATH**, if warning is ignored and proper safety precautions are not taken.

CAUTION

Possible hazards or unsafe practices that **MAY** result in **MODERATE** personal injury or property damage, or machine damage, if warning is ignored and proper safety precautions are not taken.

IMPORTANT: Identifies mechanical information demanding special attention, since it deals with the possibility of damaging a part or parts of the machine.

NOTE: Identifies information worthy of special attention.

Walker Manufacturing cannot predict every potentially dangerous situation. Therefore, items labeled as such in this manual do not cover all conceivable situations. Any person using procedures, tools, or control techniques not recommended by Walker Manufacturing must take full responsibility for safety.

The Walker Rider Lawnmower has been designed with many safety features to protect the operator from personal harm or injury. However, it is necessary for the operator to use safe operating procedures at all times. **Failure to follow safety instructions contained in this manual may result in personal injury or damage to equipment or property.**

If you have any questions concerning setup, operation, maintenance, or safety, please contact your authorized Walker Mower dealer or call Walker Manufacturing Company at (970) 221-5614.

BEFORE OPERATING

1. **Read and understand the contents of this Operator's Manual before starting and operating the machine.** Become thoroughly familiar with all machine controls and how to stop the machine and disengage the controls quickly. Replacement Operator's Manuals are available by sending the Model and Serial Number to:

Walker Manufacturing Company
5925 East Harmony Road
Fort Collins, CO 80528
2. **Never allow children to operate rider mower.** Do not allow adults to operate without proper instruction.
3. Keep everyone, especially children and pets, a safe distance away from the area of operation. **Do not operate with bystanders in the area.**
4. Do not operate the machine barefoot or wearing sandals, sneakers, tennis shoes, or similar lightweight footwear. **Wear substantial protective footwear.**
5. Do not wear loose fitting clothing that could get caught in moving parts. Do not operate this machine while wearing shorts; **always wear adequate protective clothing**, including long pants. Wearing safety glasses, safety shoes, and a helmet is advisable and required by some local ordinances and insurance regulations.

6. Prolonged exposure to loud noise can cause impairment or loss of hearing. **Operator hearing protection is recommended.** Wear a suitable hearing protective device, such as earmuffs or earplugs.
7. **Keep all protective shields and safety devices in place.** If a protective shield, safety device, or decal is damaged, unusable, or missing, repair or replace it **before** operating the machine.
8. **Be sure interlock switches are functioning correctly**, so the engine cannot be started unless the Forward Speed Control lever is in the **NEUTRAL-PARK** position, the PTO clutch is in the **DISENGAGED** position, and the Parking Brake is in the **ENGAGED** position. Also, the engine should stop if the operator lifts off the seat with any one or more of these controls in the operating position: (1) Forward Speed Control (FSC) out of **NEUTRAL-PARK**, (2) PTO Clutch **ENGAGED**, or (3) Parking Brake **DISENGAGED**.
9. **Handle gasoline with care.** Gasoline is highly flammable and its vapors are explosive:
 - a. Use an approved fuel container.
 - b. Never add fuel to a running engine or hot engine (allow hot engine to cool several minutes).
 - c. Keep matches, cigarettes, cigars, pipes, open flames, or sparks away from the fuel tank and fuel container.
 - d. Always fill the fuel tank outdoors using care. Fill to about one inch from the top of the tank. Use a funnel or spout to prevent spilling.
 - e. Replace the machine fuel cap and container cap securely and clean up any spilled fuel before starting the engine.
10. **Never attempt to make any adjustments while the engine is running**, except where specifically instructed to do so.
11. The electrical system battery contains sulfuric acid. Avoid any contact with skin, eyes, and clothing. Keep the battery and acid out of reach of children.



WARNING

This product can expose you to chemicals including Di-(2-ethylhexyl) phthalate which is known to the State of California to cause cancer, and Di-(2-ethylhexyl) phthalate, which is known to the State of California to cause birth defects or other reproductive harm. For more information go to www.P65Warnings.ca.gov.

12. Before operating an implement, become familiar with the location and function of all operator controls. Knowing the location, function, and operation of these controls is important for safe and efficient operation.

OPERATING

1. **Operate the machine only in daylight** or in good artificial light with good visibility of the area being bladed.
2. Sit on the seat when starting the engine and operating the machine. Keep feet on the deck or implement footrests at all times when the tractor is moving and/or the implement is operating. **Never operate the tractor without a deck or implement installed.**
3. For a beginning operator, **learn to steer (maneuver) the tractor with a slow engine speed before attempting any implement operation.** Be aware that, with the front mounted implement configuration, the back of the tractor swings to the outside during turns.



DANGER

Do not operate around overhanging tree branches or bushes at the same height as the operator's torso and head where inadvertent contact may cause injury.

4. Remember, for an emergency stop, the forward motion of the tractor can always be stopped by pulling the Forward Speed Control (FSC) into the **NEUTRAL-PARK** position.
5. In case the transmission drive belt breaks during operation, and if the machine is on a slope, the machine will freewheel down the slope. **To maintain control**, immediately (1)

Safety Instructions

Release the steering levers and simultaneously (2) Move the FSC to the **NEUTRAL-PARK** position. When the machine is stopped or moving slowly, engage the parking brake.

NOTE: The emergency stop procedure is exactly the same procedure as used to normally stop and park this machine.

6. Disengage the blade clutch, put the FSC in the **NEUTRAL-PARK** position, and engage the Parking Brake before starting the engine (an ignition interlock switch normally prevents starting of the machine if these controls are in the **OPERATING** position).
7. **Do not operate machine if the operator presence safety switch system is not working.** Verify proper operation by having the operator lift off the seat with the engine running and moving three controls, one at a time; (1) Move the FSC lever out of the **NEUTRAL-PARK** position, (2) Engage the PTO Clutch, and (3) Disengage the Parking Brake. Moving any of these controls should stop the engine immediately.
8. **Do not run the engine in a confined area without adequate ventilation.** Exhaust fumes are hazardous and can be deadly.
9. **Do not carry passengers** - maximum seating capacity is one (1) person.
10. **Avoid sudden starts or stops.** Before backing the machine up, look to the rear to be sure no one is behind the machine. Watch carefully for traffic when crossing or working near roadways.
11. When moving forward, **do not** suddenly put the tractor in reverse by rapidly pulling on the steering levers, especially when going downhill, as this can lift the tractor tail wheel off the ground and set up a bucking motion due to operator overcontrol. If bucking does occur, immediately stop the bucking action by pulling the Forward Speed Control (FSC) lever into the **NEUTRAL-PARK** position.



DANGER

Do not operate tractor within 5 feet (1.5 meters) of an embankment or retaining wall with drop off.

12. **The maximum recommended slope operating angle in dry conditions is 15 degrees or 27% grade.** When operating the machine on a slope, reduce speed and use caution to start, stop, and maneuver. To prevent tipping or loss of control of the machine, avoid sharp turns or sudden changes in direction. **Do not operate the machine on a slope greater than 15 degrees.**
13. **The maximum recommended slope operating angle in snow or ice conditions is 5 degrees or 9% grade.** Do not operate the machine on a snow or ice-covered slope greater than 5 degrees.
14. Operating the machine on snow or ice-covered slopes decreases safety. **It is the operator's responsibility to determine what conditions are safe for operation.**
15. **Do not touch the engine or muffler while the engine is running** or immediately after stopping the engine. These areas may be hot enough to cause serious burns.
16. When leaving the machine unattended, **disengage the blade clutch (PTO), engage the parking brake, stop the engine, and remove the key.**
17. If a PTO-driven implement strikes a solid object or the machine begins to vibrate abnormally, **immediately disengage the PTO clutch, engage the parking brake, stop the engine, and wait for all moving parts to stop.** Disconnect the spark plug wire(s) to prevent accidental starting. Thoroughly inspect the implement and repair any damage before restarting the engine and operating the machine. Make sure implement components are in good condition and all bolts are tight.

NOTE: The PTO brake should stop drive line rotation within five (5) seconds of disengaging the PTO clutch. If the brake is not functioning properly, have it repaired by an authorized dealer immediately.

18. Using the trip-over lock is NOT recommended when obstructions cannot be seen (e.g. under snow cover). The rigid blade operation should only be used with **low ground speed**.
19. Do not over loosen the articulation joint. Doing so could cause the blade to fall off during use causing damage to the blade or property.
20. Do not lock the articulation joint at an angle other than parallel to the ground. Doing so could cause significant damage to the blade or property.

MAINTENANCE

NOTE: Refer to your tractor Operator's Manual for safety instructions for tractor maintenance.

IMPORTANT: Keep all applicable manuals immediately accessible to anyone who may operate or service this machine.

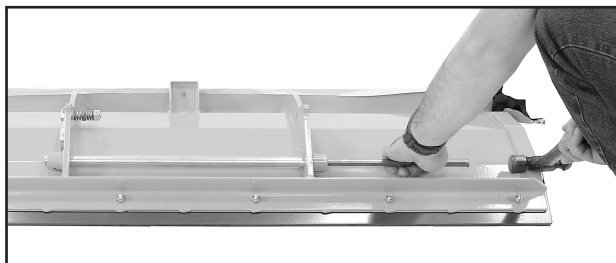
1. To prevent accidental starting of the engine when servicing or adjusting the machine, remove the key from the ignition switch and disconnect the spark plug wire(s).
2. **To reduce fire hazards**, keep the engine free of grass, leaves, excessive grease, and dirt.
3. Keep all nuts, bolts, and screws tight to ensure the machine is in a safe, working condition. Check the blade mounting nuts frequently, making sure they are tight.
4. **Perform only maintenance instructions described in this manual.** Unauthorized maintenance operations or machine modifications may result in unsafe operating conditions.
5. If the engine must be running to perform a maintenance adjustment, keep hands, feet, and clothing away from moving parts. **Do not wear jewelry or loose clothing.**
6. **Always use the proper engine service manual when working on the engine.** Unauthorized maintenance operations or modifications to the engine may result in unsafe operating conditions.
7. Altering the equipment or engine in any manner which adversely affects its operation, performance, durability, or use will **VOID the warranty** and may cause hazardous conditions.
8. Never attempt to disconnect any safety devices or defeat the purpose of these safety devices.
9. Do not change the engine governor settings or overspeed the engine. The governor has been factory-set for maximum-safe engine operating speed.
10. **Use genuine factory replacement parts.** Substitute parts may result in product malfunction and possible injury to the operator and/or others.
11. **Use care when charging the battery** or performing maintenance on the battery and electrical system:
 - a. Make sure the battery charger is unplugged before connecting or disconnecting cables to the battery.
 - b. Charge the battery in a well-ventilated space, so gases produced while charging can dissipate.
 - c. Keep sparks, flames, and smoking materials away from the battery at all times. To avoid sparks, use care when removing battery cables from posts.
 - d. Disconnect both battery cables before unplugging any wiring connectors or making repairs on the electrical system.
12. **DO NOT** allow the cutting edge to become worn beyond the wear zone which can result in damage to the dozer blade.

Assembly and Installation

Assembly and Installation

ASSEMBLING THE BLADE

1. Lay the dozer blade on a flat surface and remove the pivot shaft from the back of the blade using a hammer and a punch.



Remove Pivot Shaft

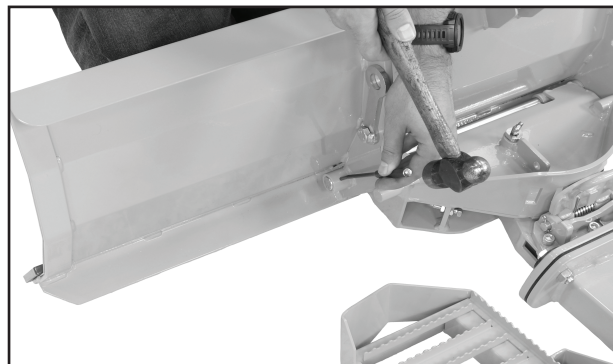
2. Align the pivot shaft sockets on the blade mount and dozer blade. Feed the pivot shaft through the sockets from left to right. Use a hammer to tap the pivot shaft in place, making sure to align the roll pin holes on the LH side. The pivot shaft should fit very snug in the sockets.



Feed Pivot Shaft Through Sockets

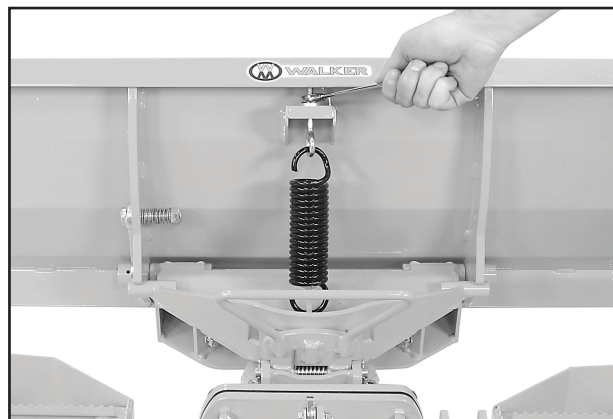
3. After ensuring proper alignment of the roll pin holes, use a hammer and a punch to tap the roll pin into place.

NOTE: If needed, tap the pivot shaft back through the left pivot shaft socket approximately one inch and, using pliers, rotate the pivot shaft to more closely align the roll pin holes. Tap the pivot shaft back into place and insert a tapered punch into the roll pin holes to maneuver the pivot shaft into alignment.



Insert Roll Pin

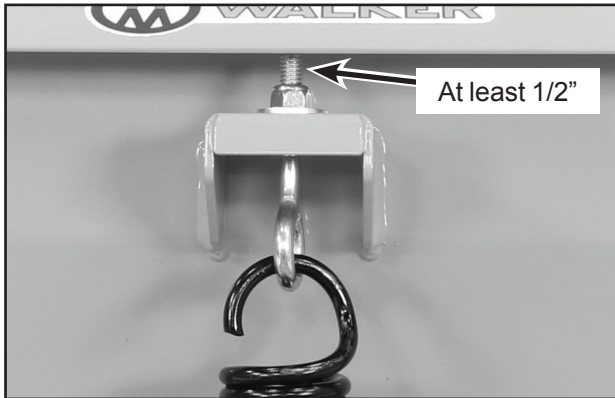
4. Loop the extension spring through the spring mount tab in the center of the blade mount.
5. Loop the eye bolt over the other end of the extension spring and pull up on the extension spring so that the threads of the eye bolt protrude through the eye bolt bracket.



Install Extension Spring

6. Place the washer (P/N F481) over the eye bolt and begin threading the ESNA nut (P/N F020) onto the eye bolt. Tighten until the spring is under tension using 1/2" wrench.

NOTE: Eye bolt threads need to protrude through the ESNA nut by **at least 1/2 in. (1.3 cm)**. See **Trip-Over Extension Spring on page 18** for additional notes on the extension spring.



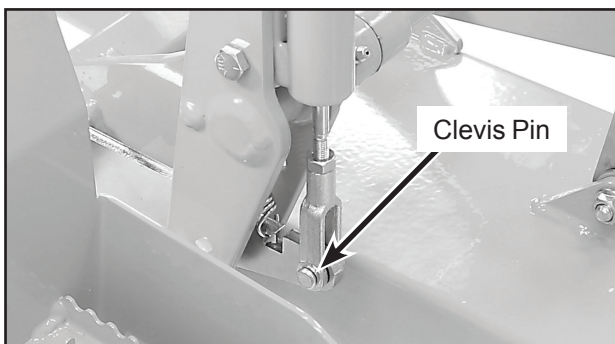
Eye Bolt Threads

- Put the lift handle in place, as demonstrated in the photo and insert two (2) 5/16-18 x 2 hex bolts (P/N F275) through the lift handle. Install the accompanying whiz lock nuts (P/N F009) and tighten them with a 1/2" wrench.

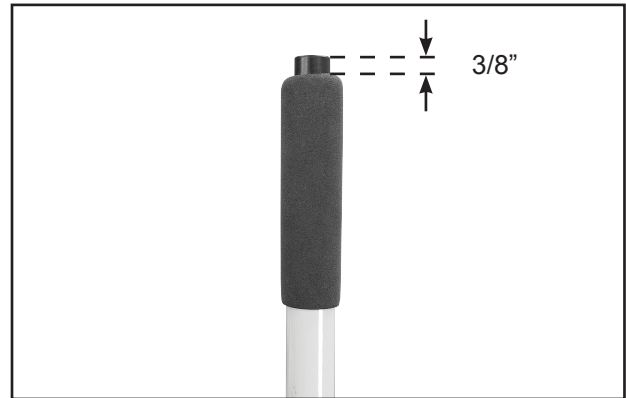


Install Lift Handle

- Align the clevis over the locking arm and insert the clevis pin. With the clevis pin in place, check that the lift release push button stands 3/8" above the lift handle. Adjust the clevis or button position on the threaded rod until the push button is positioned as shown.

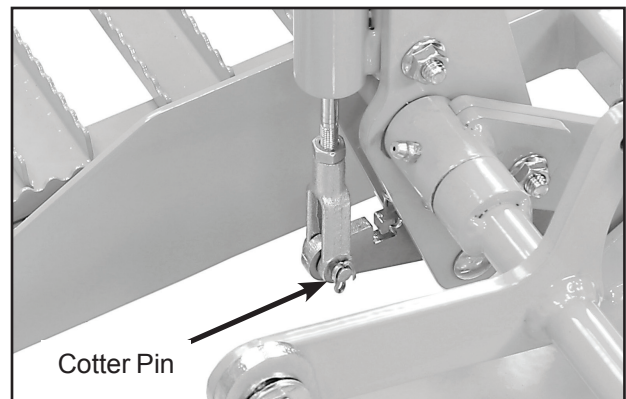


Align Clevis



Check Lift Release Push Button

- Insert the cotter pin into the clevis pin opening, using needle nose pliers to bend the cotter pin to secure the clevis pin.



Secure Clevis

- Mount the 5A Fuse Harness (P/N 1940-1) using the 10-24 x 5/8 PPHMS (P/N F027) and 10-24 keps nut (P/N F002) provided.



Mount 5A Fuse Harness

Assembly and Installation

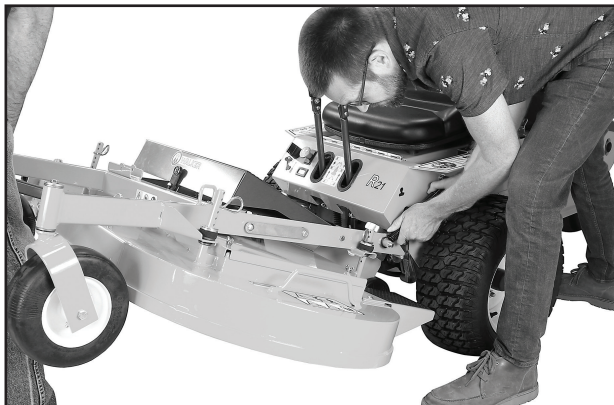
INSTALLING THE DOZER BLADE

1. Remove the Blade Drive Belt (PTO) from the tractor. See the Service section of the MR21 Operator's Manual for details.
2. Remove the extension spring between the belt tensioner mount assembly and the tensioner arm. Keep the spring for reinstallation.
3. Using an 11/16 in. wrench, remove the two nuts that secure the counterweight springs on each side of the carrier frame.



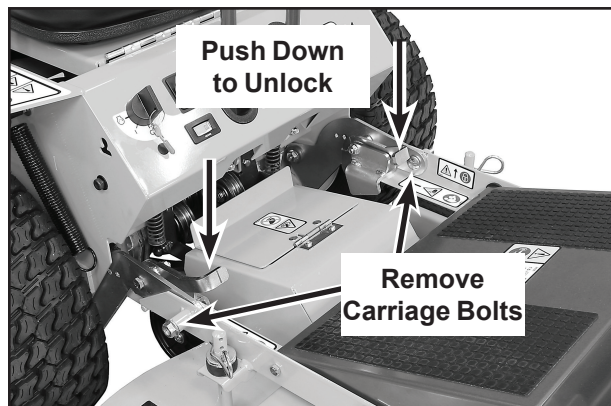
Remove Nut from Carrier Frame

4. With the assistance of a second person, lift the deck using the deck tilt bar and slide the counterweight springs off the deck carrier frame.



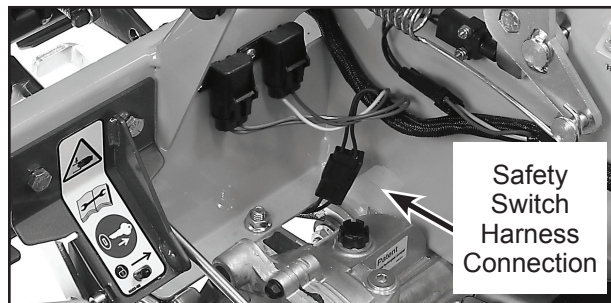
Remove Counterweight Spring

5. Remove the counterweight springs from the tractor posts and keep the springs for future deck reinstallation.
6. Push down on the deck lock levers to release the deck pivot hinges. Remove the carriage bolt from each side of the carrier frame. Keep the carriage bolts and the nuts for deck reinstallation.



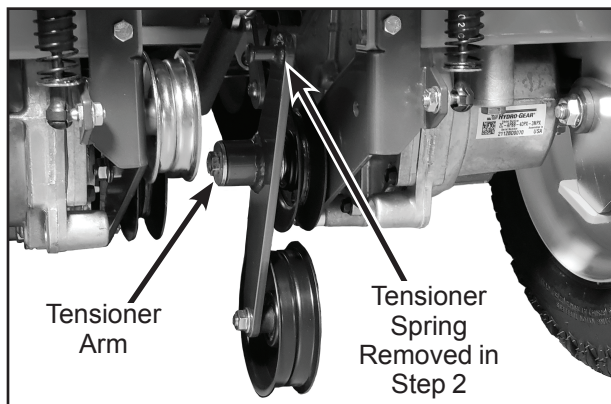
Unlock Deck Lock Levers and Remove Carriage Bolts

7. Slide the deck away from the tractor and safety stow the deck with the belt for future deck reinstallation.
8. Lift the seat panel and disconnect the deck safety switch wire harness from the main tractor harness.



Disconnect Safety Harness

9. Using a 9/16 in. wrench, remove the tensioner arm assembly from the LH idler mount. Maintain the hardware order by storing the arm with the hardware on the bolt for easier reinstallation.



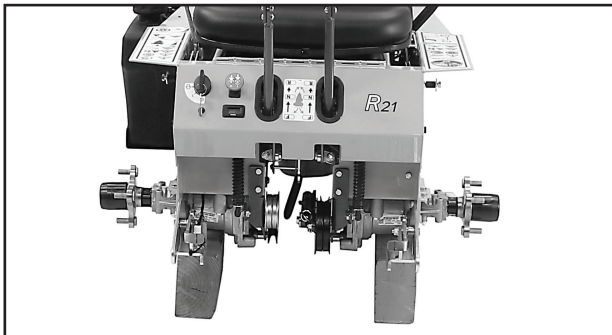
Remove Tensioner Arm

10. Use a jack to block up the tractor a few inches off the ground



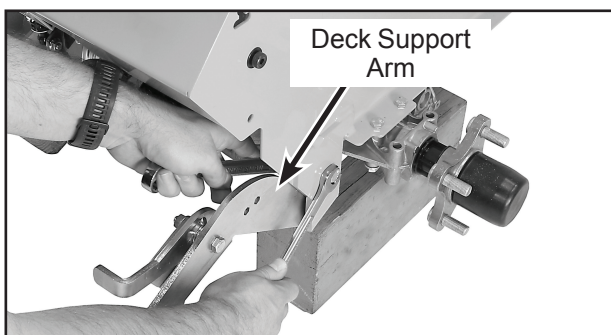
Block Up Tractor

11. Remove the drive tires using a 3/4" socket for the mounting nuts.



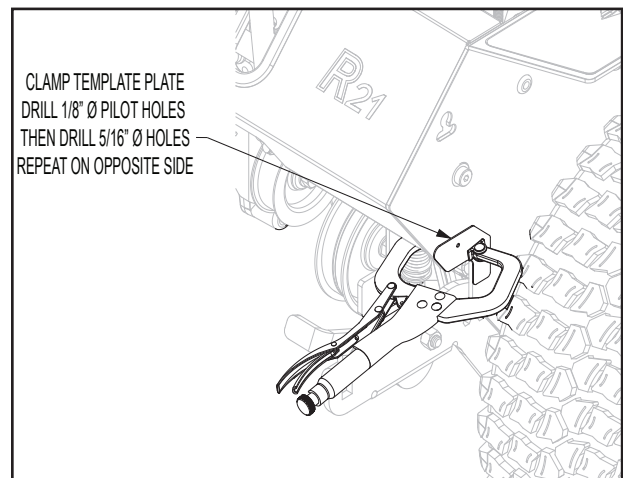
Drive Tires Removed

12. Using a 5/8" wrench and an 11/16" wrench, remove both deck support arms and save all the mounting hardware with the deck support arms for later reinstallation of the deck.



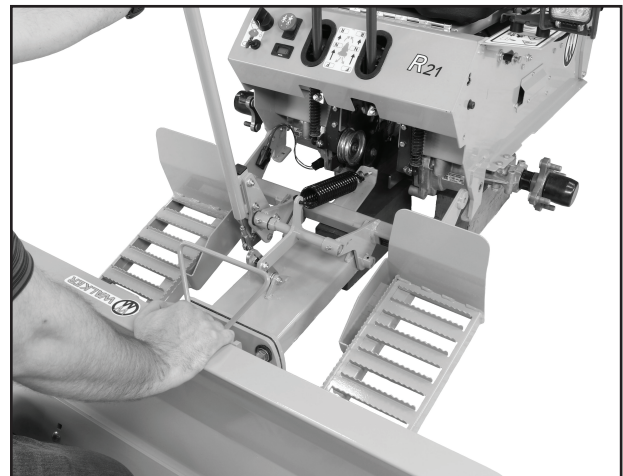
Remove Deck Support Arms

13. Tractors prior to S/N 2022-176529 may need to add support strap mounting holes in the chassis. Locate and drill the support strap mounting holes using the MR Chassis Drill Guide provided if needed. Align the edge of the guide with the edge of the chassis before clamping it into place.



Drill Support Strap Mounting Holes

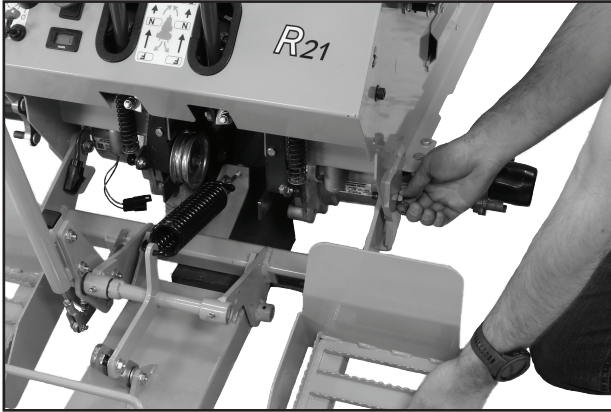
14. Slide the dozer blade carefully into position.



Position Dozer Blade

Assembly and Installation

- Using a 5/8" wrench and an 11/16" wrench mount the blade on each side. The 7/16-20 x 1-1/2 hex bolts (P/N F632) should be positioned with the 7/16-20 flange top lock nuts (P/N F621) on the inside of the chassis. Fully tighten the nuts.



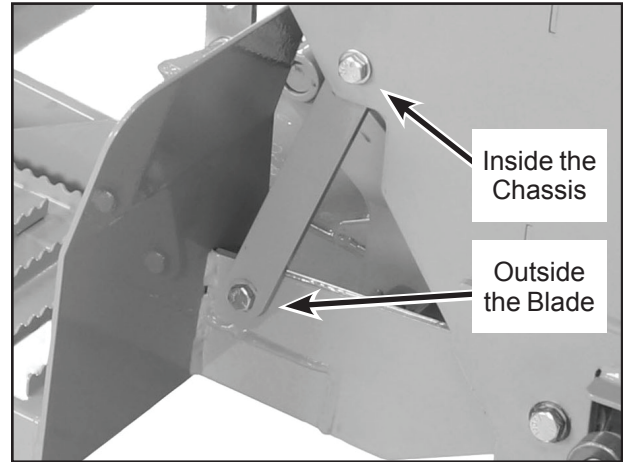
Install the Blade

- Using a jack, lift and secure the blade so it sits level with the tractor body.

WARNING

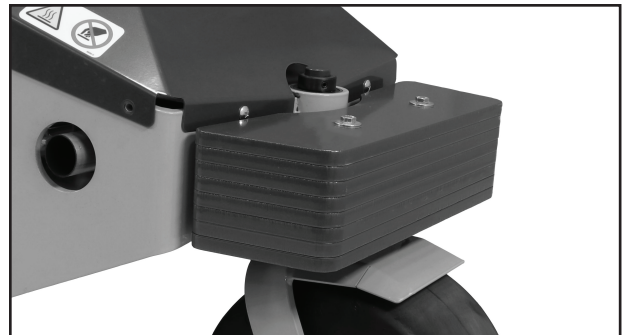
To avoid injury, be cautious when lifting and maneuvering the blade into position. Two people are recommended for this step.

- Install the support straps as shown using a 1/2" wrench to secure the 5/16-18 x 3/4 hex bolt (P/N F034) and 5/16-18 whiz locknut (P/N F009) on the top and the 5/16-18 x 7/8 Hex Bolt (P/N F026) with another F009 on the bottom.



Support Strap Installed

- Lift the seat panel and connect the 5A Fuse Harness to the main wire harness where the safety switch wire harness was previously disconnected.
- Reinstall the drive tires. Torque mounting nuts to 75-85 lb·ft (102 to 115 N·m). Lower the tractor back onto the drive tires.
- Install the **MR Tail Weight Kit (P/N 1647-10)** using the instructions provided with the kit.

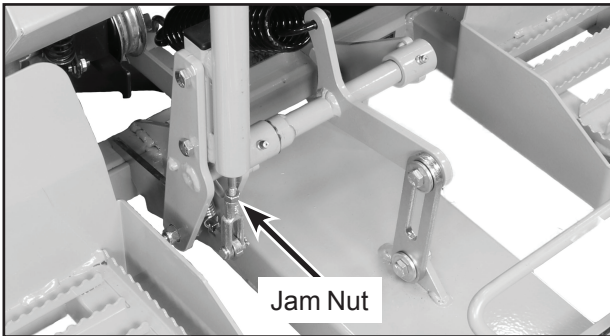


Tail Counter Weights Installed

22. Check operation of the lift release push button on the top of the lift handle. If additional travel is needed, loosen the jam nut on the clevis and rotate the rod until the desired length is achieved. Re-tighten the jam nut.



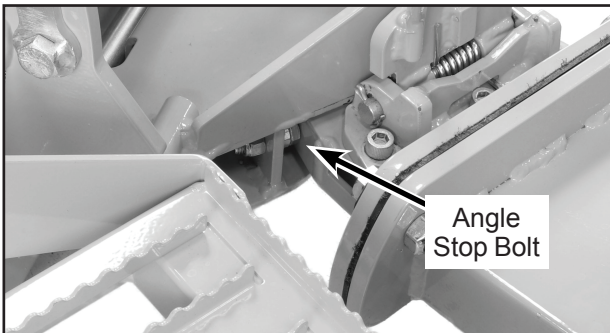
Lift Release Push Button



Jam Nut

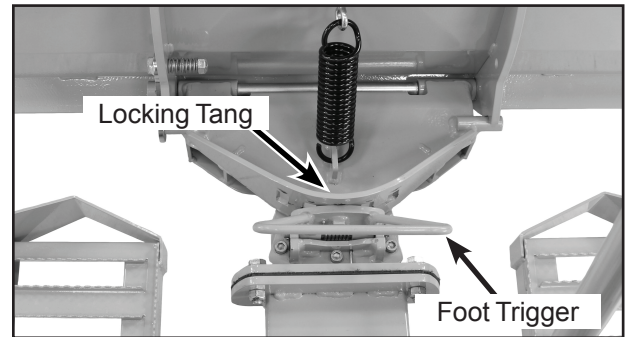
Adjust Rod Length for Additional Travel

23. Check the adjustment of the angle stop bolts with the blade in the fully angled position in both directions. Confirm that the foot trigger locking mechanism engages freely in the angle adjust slot while the angle stop bolt is contacting the side of the attachment frame tongue. Adjust as necessary.



Angle Stop Bolt

Angle Stop Bolts



Locking Tang

Foot Trigger

Locking Tang and Foot Trigger

Assembly and Installation

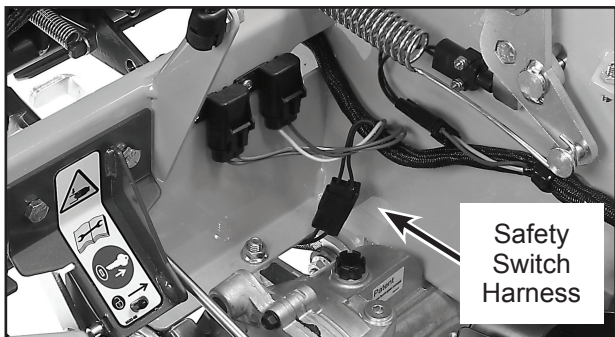
REMOVING THE DOZER BLADE

1. Use a jack to block up the tractor a few inches off the ground



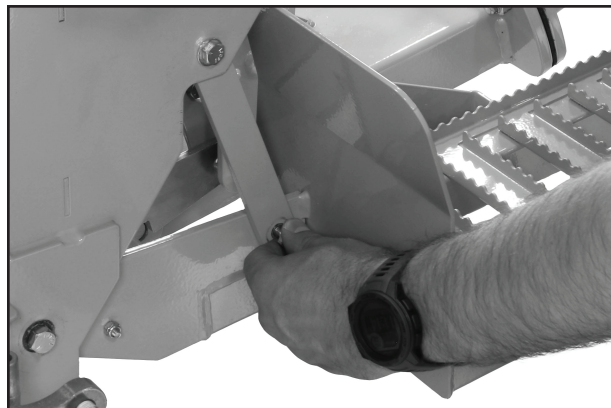
Block Up Tractor

2. Remove the drive tires using a 3/4" wrench for the mounting nuts.
3. Disconnect the 5A Fuse Harness from the main harness.



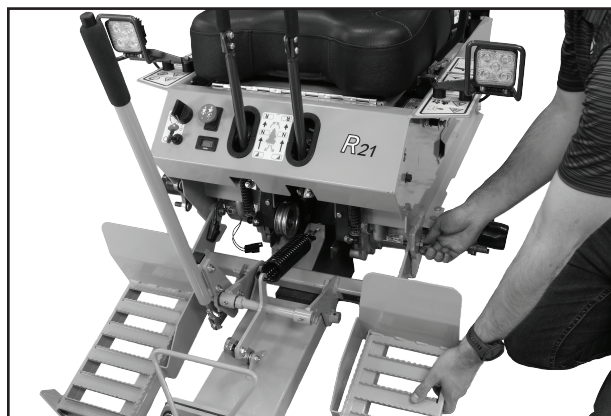
Disconnect 5A Fuse Harness

4. Using a jack, lift and secure the blade so it sits level with the tractor body.
5. Remove the support straps using 1/2" wrench. Save the hardware with the straps for reinstallation. Lower the blade to a ground.



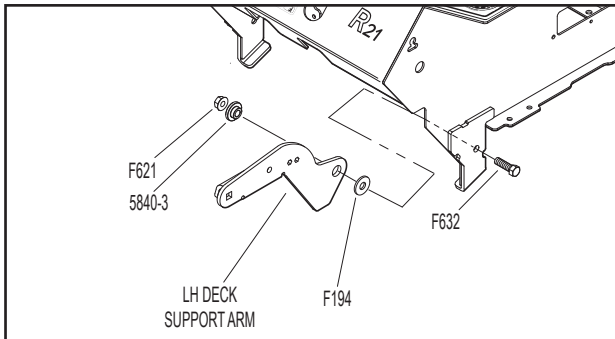
Remove Support Strap

6. Using a 5/8" wrench and an 11/16" wrench, remove the blade mounting hardware, and pull the blade away from the tractor. Save the hardware with the blade for reinstallation.

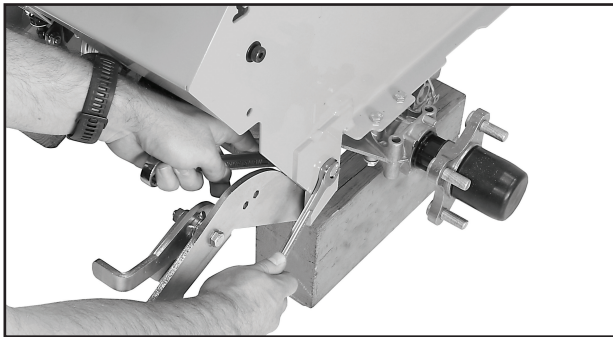


Remove the Blade

- Using a 5/8" wrench and an 11/16" wrench, reinstall the deck support arms using the saved hardware as shown in the **Deck Support Arms (LH Shown)** illustration. Fully tighten the nuts.

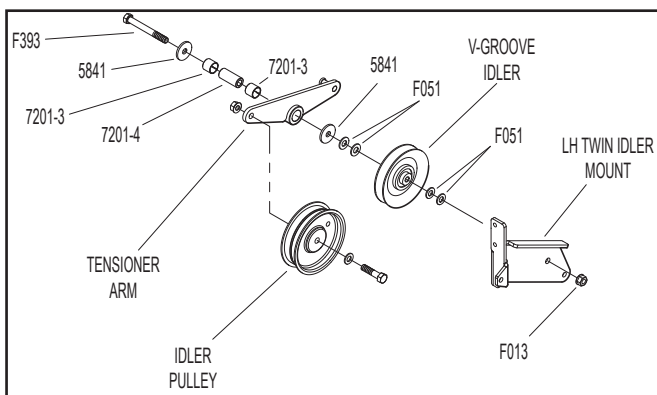


Deck Support Arms (LH Shown)



Reinstall Deck Support Arms

- Using a 9/16 in. wrench, reinstall the tensioner arm on the LH twin idler mount. Use the **Reinstall Tensioner Arm** illustration to ensure the hardware is in the correct order. Fully tighten the F013 locknut.



Reinstall Tensioner Arm

- Reinstall the extension spring between the belt tensioner mount assembly and the tensioner arm.

- Lift the seat panel and reconnect the deck support arm safety switch wire harness to the main tractor wire harness.
- Reinstall the drive tires. Torque mounting nuts to 75-85 lb·ft (102 to 115 N·m). Lower the tractor back onto the drive tires.
- Reinstall the deck. Follow the instructions in the MR21 Operator's Manual.
- Reinstall the Blade Drive Belt (PTO). See the Service section of the MR21 Operator's Manual for details.

Operating Instructions

The A44 Dozer Blade has a variety of different features that help make it adaptable to different conditions. These features include: lifting and lowering the blade, angling the blade, the action of the extension/trip spring, the trip lock, and the lateral articulation of the blade. All the operations of these controls are detailed in this section.

IMPORTANT: Only operate the A44 Dozer Blade with the **MR Tail Weight Kit (P/N 1647-10)** installed. Failure to do so could cause the rear of the tractor to lift off the ground during operation.



WARNING

Before operating an implement, become familiar with the location and function of all operator controls. Knowing the location, function, and operation of these controls is important for safe and efficient operation.

LIFT/LOWER BLADE

To lift the dozer blade, pull back on the lift handle. The blade can be placed in two (2) raised positions:

- First position: approximately 2.5" (6.35cm) above the ground
- Second position: approximately 6.5" (16.51cm) above the ground

To lower the dozer blade, pull back slightly on the lift handle; push and hold the push button on top of the lift handle to prevent the locking arm from engaging. Then, lower the blade to the desired position.

NOTE: Do **NOT** operate the tractor at **full speed** with the blade in a raised position. Abrupt braking may cause the rear of the tractor to lift off the ground.



Lift or Lower the Blade

Adjusting the Lift Handle Assist Spring

The lift handle is equipped with an assist spring that aids in the raising and lowering of the blade.

To increase the lift assistance, lift the seat panel and tighten the eye bolt nut that secures the spring in the rear.

To reduce the lift assistance, lift the seat panel and loosen the eye bolt nut that secures the spring in the rear.

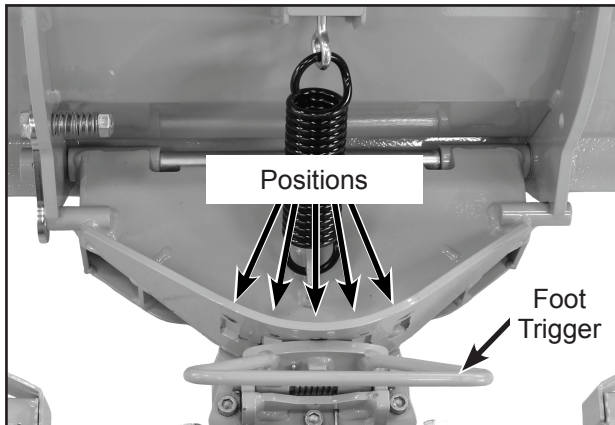


Lift Handle Assist Spring

BLADE ANGLE

There are five angle positions to which the blade can be adjusted:

- Straight forward
- Right/Left 15 degrees
- Right/Left 30 degrees

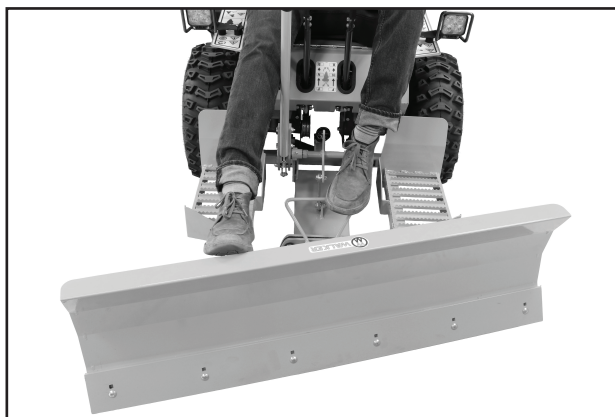


Angle Positions

To adjust the blade angle, use one foot to hold down the foot trigger and use the other foot (or the momentum of the blade as you turn the tractor) to push the blade into the desired position. Release the foot trigger to allow the locking tang to snap into place.



Engage Foot Trigger



Push Blade to Angle

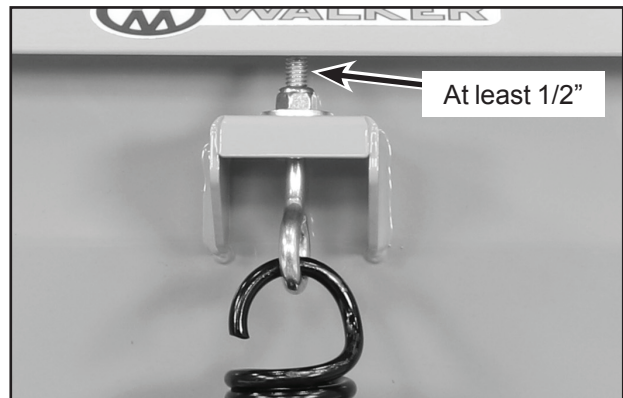
TRIP-OVER EXTENSION SPRING

The dozer blade is designed to “trip” forward when striking large rocks, tree stumps, etc. Once the blade clears the obstacle, the blade will spring back to the normal operating position preventing damage to the machine and plowing surface.

Adjust the extension spring tension by tightening the ESNA nut until a minimum of 0.5 in. (1.3 cm) protrudes through the ESNA nut.



Extension Spring Adjustment



Eye Bolt Threads

TRIP-OVER LOCK

The trip-over lock is designed to halt the forward trip-over motion caused by the extension spring. It locks the blade into a rigid position. Only use the trip-over lock when the operator can be absolutely certain there are no rigid obstructions on the surface (e.g. broken sidewalks, tree roots, stakes, etc.) and the forward trip action of the blade is NOT required.

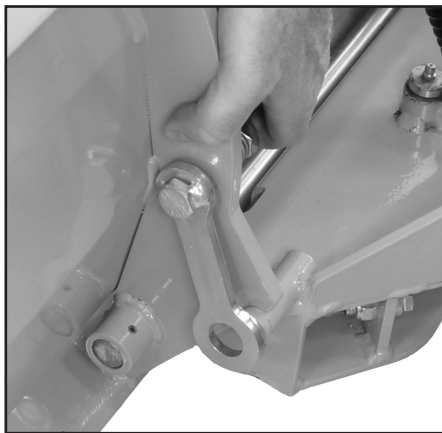
Engage the trip-over lock by compressing the spring and rotating the trip-over lock over the stop rod, as shown in the **Engaging Trip-Over Lock**

Operating Instructions

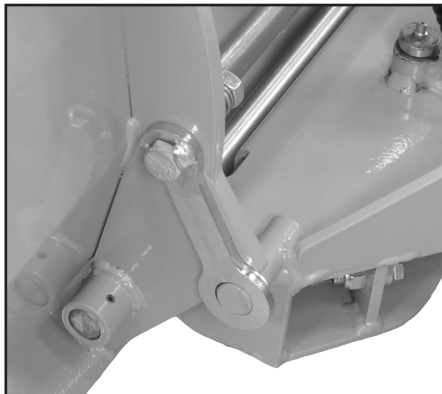
photo. Be sure the trip lock seats flush on the stop rod as shown in the **Trip-Over Lock Seated on Stop Rod** photo. This procedure locks the blade in place and will prevent the forward trip action.

WARNING

Using the trip-over lock is **NOT** recommended when obstructions cannot be seen (e.g. under snow cover). The rigid blade operation should only be used with low ground speed.



Engaging Trip-Over Lock



Trip-Over Lock Seated on Stop Rod

BLADE ARTICULATION

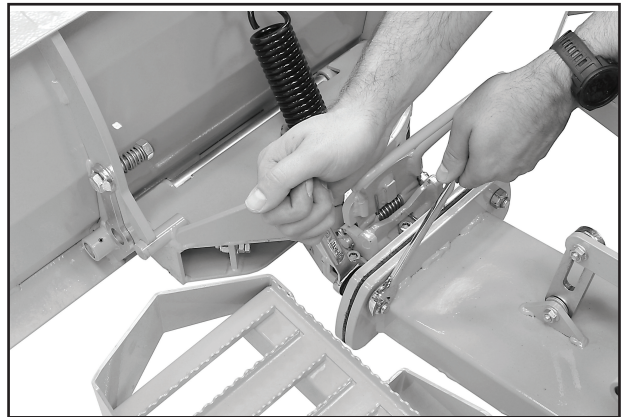
The dozer blade is designed with +/- 5 degrees of lateral articulation to allow the blade to follow the contour of the ground. If the blade is not following the ground contour, adjust the articulation with the following steps:

Blade Articulation Adjustment

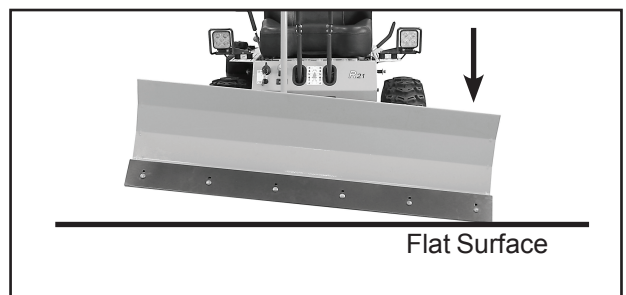
1. With the tractor on a flat, level surface, raise the blade.
2. Loosen the articulation joint bolts by one turn on each side until the blade can be fully articulated by pushing down on the edge of the blade. The pivot plates should always remain fully in contact with each other; there should never be a gap or play in the joint.

CAUTION

Do not over loosen the articulation joint. Doing so could cause the blade to fall off during use causing damage to the blade or property.

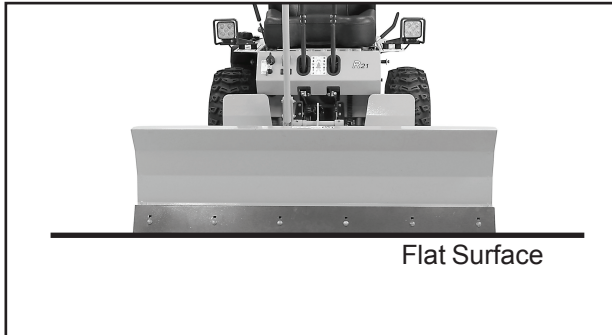


Adjust Articulation Joint Hardware



Fully Articulated Blade

3. Then lower the blade, and it should easily self level to make full contact with the ground as it is lowered.



Blade Contacting the Ground

Blade Articulation Lock

The blade articulation can be locked to render the blade fixed.

1. On a flat surface, lower the blade to rest on the ground.
2. Fully tighten the bolts on both sides of the articulation joint.
3. Raise the blade and push down on one side; the blade should not move.



CAUTION

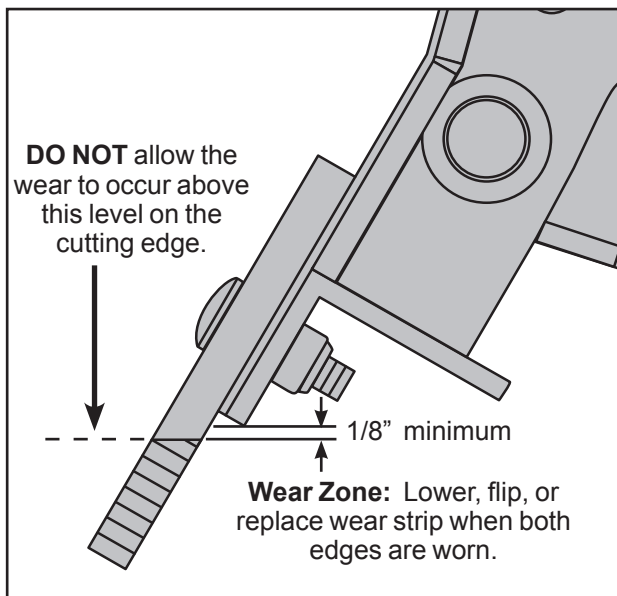
Do not lock the articulation at an angle other than parallel to the ground. Doing so could cause significant damage to the blade or property.

Maintenance

Maintenance

CUTTING EDGE (WEAR STRIP)

Inspect cutting edge often (approximately every **2 hours** of operation). Upon reaching the maximum allowable wear (approximately 1/8" remaining) either lower cutting edge to the second row of carriage bolt holes, flip the cutting edge, or replace it. **DO NOT** allow the cutting edge to become so worn as to cause damage to the dozer blade. Order a replacement kit when necessary; refer to **Replaceable Cutting Edge Kits on page 3** for available options.

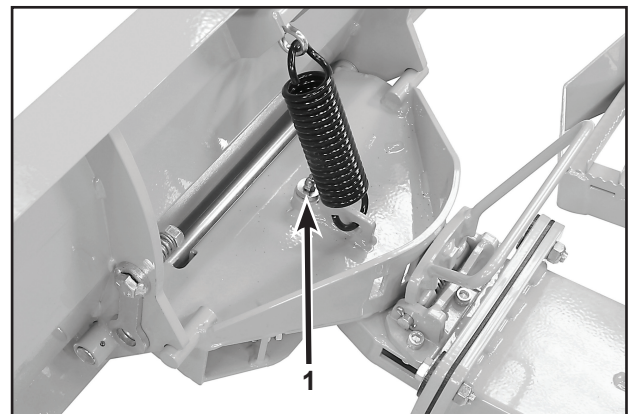


Cutting Edge, Adjust or Replace

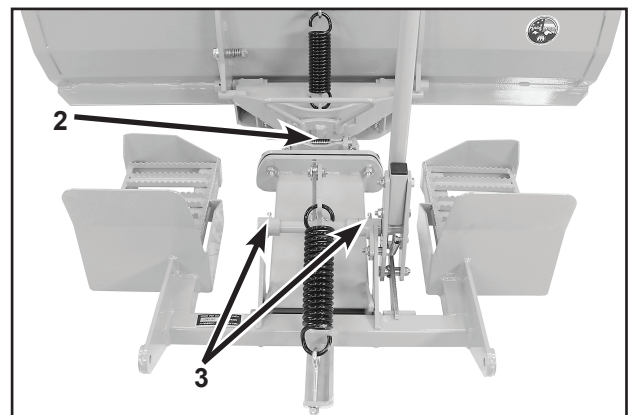
LUBRICATION

Lubricate the following oil points every **25 hours** of operation:

1. Blade Angle Pivot (Grease)
2. Foot Trigger Pivot (SAE 10 Oil)
3. Lift Bar Pivot (x2) (Grease)



Blade Angle Pivot



Foot Trigger Pivot and Lift Bar Pivot

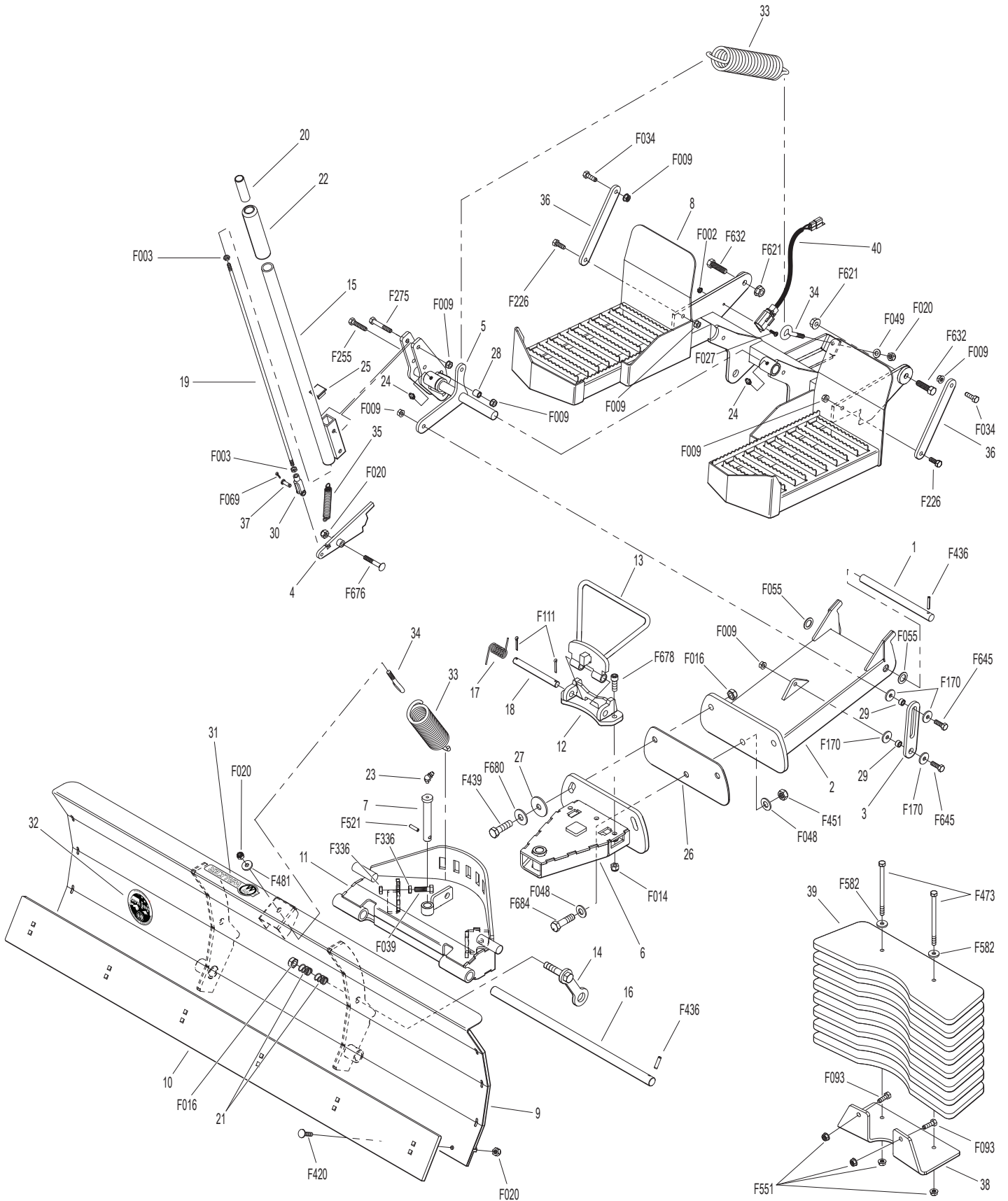
A44 DOZER BLADE PARTS LIST

ITEM NO.	PART NO.	DESCRIPTION	NO. REQ'D	ITEM NO.	PART NO.	DESCRIPTION	NO. REQ'D
Dozer Blade				Fasteners			
1	6622-19	Pivot Shaft (8")	1	F002	10-24 Keps Nut		1
2	6622-20	Tongue Weldment	1	F003	1/4-28 Hex Nut		2
3	6621-21	Slide Arm	1	F009	5/16-18 Whiz Locknut		9
4	6622-22	Locking Arm	1	F014	3/8-16 ESNA Nut		3
5	6622-0	Lifting Arm (Includes Item # 24)	1	F016	1/2-13 Self-Locking Nut		3
6	6626-8	Male Hitch Adapter	1	F020	5/16-18 ESNA Nut		9
7	6624-11	Blade Pivot Pin (Includes Item # 23)	1	F027	10-24 x 5/8 PPHMS		1
8	6622-110	Attachment Frame (Includes Item # 24)	1	F034	5/16-18 x 3/4 Hex Bolt		2
9	6624-0	Dozer Blade (48") (Includes Items # 31 & 32)	1	F039	3/8-16 x 1-1/4 Hex Bolt		2
10	6624-18	Cutting Edge/Steel (48") (Includes Items # F020 & F420)	1	F048	1/2 SAE Washer		2
11	6626-6	Blade Mount	1	F049	5/16 SAE Washer		1
12	6626-4	Foot Trigger Mount	1	F055	5/8 SAE Washer		2
13	6626-5	Foot Trigger	1	F069	3/32 x 1/2 Cotter Pin		1
14	6624-5	Trip-Over Lock	1	F111	1/8 x 3/4 Cotter Pin		2
15	6624-8	Lift Handle	1	F170	5/16 x 1 x 7/64 Flat Washer		4
16	6624-10	Pivot Shaft (18-3/8)	1	F226	5/16-18 x 7/8 Hex Bolt		2
17	6624-12	Torsion Spring	1	F255	5/16-18 x 1-1/2 Hex Bolt		1
18	6624-14	Pivot Shaft (4-7/8)	1	F275	5/16-18 x 2 Hex Bolt		2
19	6624-15	Push Button Rod	1	F336	3/8-16 Jam Nut		4
20	6624-16	Push Button	1	F420	5/16-18 x 1-1/4 Carriage Bolt		6
21	8401-2	Safety Lockout Spring	2	F436	3/16 x 1-1/8 Roll Pin		2
22	9850-1	Handle Grip	1	F439	1/2-13 x 1-3/4 Hex Bolt		2
23	5830-3	Grease Fitting (45 Deg.)	1	F451	1/2-20 Nylon Locknut		1
24	5830	Grease Fitting	2	F481	Washer 5/16 x 1 x .125		1
25	8662-5	Square Plug 1 x 1	1	F521	Roll Pin 1/4 x 1		1
26	6625-6	Pivot Bearing Plate	1	F621	7/16-20 Flange Top Lock Nut		2
27	6625-14	Friction Washer (1/2 ID x 1-3/4 OD)	2	F632	7/16-20 x 1-1/2 Hex Bolt		2
28	1701-8	Bushing Sleeve	1	F645	5/16-18 x 1-1/8 Hex Bolt		2
29	5463-5	Steering Arm Pivot Bushing (SS)	2	F676	5/16-18 x 2 Carriage Bolt		1
30	5280	Clevis (1/4)	1	F678	3/8-16 x 1-1/8 SHC Screw		3
31	5809-2	Decal, Walker	1	F680	Washer .562 x 1.375 x .109		2
32	5856-1	Decal, Made In USA	1	F684	1/2-20 x 1-27/32 Hex Bolt Cadmium (AN8-16A)		1
33	6622-18	Extension Spring	2				
34	6624-59	Eye Bolt (5/16-18 x 2-1/2)	2				
35	5229	Extension Spring (1/2 x 2-1/4)	1				
36	6621-18	Support Strap	2				
37	5281-5	Clevis Pin (1/4 x 0.80)	1				
38	1940-1	5A Fuse Harness	1				

Beginning S/N 2022-1929

Use only genuine **Walker®** replacement parts.

A44 DOZER BLADE PARTS DIAGRAM



Beginning S/N 2022-1929
 Use only genuine **Walker®** replacement parts.

LIMITED WARRANTY FOR WALKER A44 DOZER BLADE ATTACHMENT

1. What this warranty covers, and for how long:

Walker Manufacturing company will, at its option, repair or replace, without charge, any part covered by this warranty which is found to be defective in material and/or workmanship within one (1) year after date of sale to the original retail purchaser unless the product is used for rental purposes, in which case this warranty is limited to ninety (90) days. At Walker's request, customer will make the defective part available for inspection by Walker and/or return the defective part to Walker, transportation charges prepaid. All parts and components of the Walker implement hitch are covered by this warranty.

2. What this warranty does not cover:

A. This warranty does not cover defects caused by depreciation or damage caused by normal wear, accidents, improper maintenance, improper use or abuse of the product, alterations, or failure to follow the instructions contained in the Operator's Manual for operation and maintenance.

B. The customer shall pay any charges for making service calls and/or for transporting the attachment to and from the place where the inspection and/or warranty work is performed.

3. How to obtain service under this warranty:

Warranty service can be arranged by contacting the dealer where you purchased the machine or by contacting Walker Manufacturing Company, 5925 East Harmony Road, Ft. Collins, CO 80528. Proof of the date of purchase may be required to verify warranty coverage.

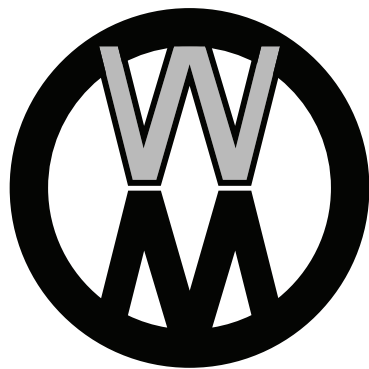
4. Warranty limitation:

A. THERE IS NO OTHER EXPRESS WARRANTY. ANY WARRANTY THAT MAY BE IMPLIED FROM THIS PURCHASE INCLUDING MERCHANTABILITY AND FITNESS FOR A PARTICULAR PURPOSE IS HEREBY LIMITED TO THE DURATION OF THIS WARRANTY AND TO THE EXTENT PERMITTED BY LAW ANY AND ALL IMPLIED WARRANTIES ARE EXCLUDED. Some states do not allow limitations on how long an implied warranty lasts, so the above limitations may not apply to you.

B. WALKER WILL NOT BE LIABLE FOR ANY INCIDENTAL, CONSEQUENTIAL, OR SPECIAL DAMAGES AND/OR EXPENSES IN CONNECTION WITH THE PURCHASE OR USE OF THE MACHINE. Some states do not allow the exclusion or limitation of incidental or consequential damages, so the above limitation(s) or exclusion(s) may not apply to you.

C. Only the warranty expressed in this limited warranty shall apply and no dealer, distributor, or individual is authorized to amend, modify, or extend this warranty in any way. Accordingly, additional statements such as dealer advertising or presentations, whether oral or written, do not constitute warranties by Walker, and should not be relied upon.

D. This warranty gives you specific legal rights, and you may also have other rights which vary from state to state.



WALKER

WALKER MFG. CO. • 5925 E. HARMONY ROAD, FORT COLLINS, CO 80528 • (970) 221-5614
FORM NO. 122022 PRINTED IN USA www.walker.com ©2022 WALKER MFG. CO